

# *Senigallia*

*Classic styling in a  
high-performance vent hood*



# Senigallia

One of the most popular spots on Italy's Adriatic coast is Senigallia. The resort owes its charm to velvety soft beaches, clear water and historic town center.

*Introducing the ventilation hoods that really clear the air.*

*At Eurotech, we specialize in the technology of clean. Literally. It's all we do. Clean dishes, clean clothes and, now, clean air. Our new ventilation hoods are the perfect examples. They feature the industry's most advanced technology to clear the air in your kitchen – and throughout your home.*

*Eurotech hoods work smartly, efficiently, quietly and, most of all, cleanly to remove cooking fumes, heat and grease from the air before they can permeate your upholstery, clothes, curtains and carpet. In fact, we're so committed to cleanliness that we've made the hoods themselves easy to clean. Ultra-efficient grease filters and seamless construction make sure of that.*

*So, you want clean? You want Eurotech.*

*Eurotech ventilation hoods. Clean by design.*

 **Eurotech**

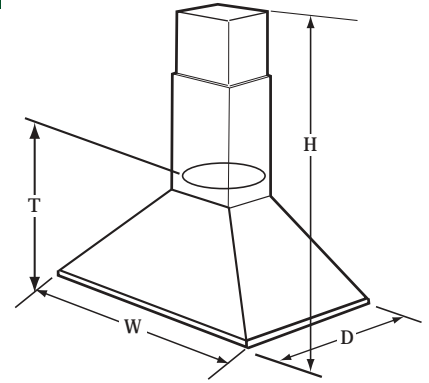
[www.eurotechappliances.com](http://www.eurotechappliances.com)

## SPECIFICATIONS

Requirements	120 V AC, 60 Hz. 15 or 20 Amp branch circuit
Range of adjustable height (H)*	33" to 42-1/2"
Minimum height with one cover*	25-5/8"
Width (W)	30" or 36" **
Depth (D)	20-1/4"
Height to transition (T):	14-3/4"
Depth from wall to centerline of transition	3-3/4"
Diameter of transition:	6"
Duct size:	6"

\*Dimensions are given from base of hood to ceiling and include clearance required for installation.

\*\*Depending upon model.



Available in 30" and 36" widths

Comes in stainless steel

400 CFM fan

Excellent quietness

Hidden slide control

Dishwasher safe filters -  
2 on 30", 3 on 36"

Two 9 watt fluorescent lights

Three speed fan

Ducted

Covered by the  
Guardian Warranty:  
1 Year Parts & Labor  
3 Year Parts (Controls &  
Motors)

Pro-baffle filter option and part numbers  
30" = 2 each of # EVPROFILT kits  
36" = 3 each of # EVPROFILT kits

## MATERIALS NEEDED

### Materials Included With Hood

- Hood canopy assembly with ventilator and light bulbs installed
- Installation, Use and Care Guide
- Filters
- Plastic transition with backdraft dampers installed
- Nuts, screws and drywall anchors
- Two rubber gaskets
- Two mounting hooks
- Mounting template
- Two-piece duct cover
- Starter collar
- Self-adhesive rubber tape

P.O. Box 851805 • Richardson, TX 75085-1805

Copyright © 2005 AM Appliance Group. Eurotech is a division of the AM Appliance Group. Eurotech reserves the right to vary the model specifications at any time. All facts were accurate at time of printing. Before purchasing any appliance, read energy cost and efficiency information at your retailer.