

# Arcevia

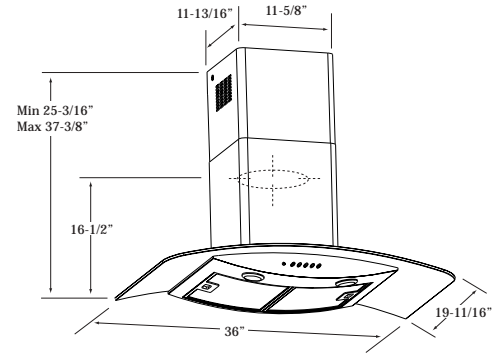
*The glow of stainless steel with the  
beauty of curved glass*



# Arcevia

## SPECIFICATIONS

Requirement:	120 V AC, 60 Hz. 15 Amp branch circuit
Height: Minimum:	29-15/16"
Maximum:	48-5/8"
Height to transition:	16-9/16"
Width:	36"
Depth:	19-11/16"
Depth from wall to centerline of transition:	6-5/16"
Duct Size:	6"
Number of lights:	2 x 20W



## MATERIALS NEEDED

### Materials Included With Hood

- Hood canopy assembly with ventilator, light bulbs and plastic transition with back draft dampers installed
- Installation, Care and Use Guide
- Two filters
- Nuts, screws and drywall anchors
- Mounting template
- Two mounting hooks
- Two-piece duct cover

Available in 36" width

400 CFM fan

Excellent quietness

Two dishwasher-safe filters

Two 20-watt halogen lights

Three speed fan

Optional charcoal filter kit

Ducted

Covered by the  
Guardian Warranty:  
1 Year Parts & Labor  
2 Year Parts

*Introducing the  
ventilation hoods that  
really clear the air.*

*At Eurotech, we specialize in the technology of clean. Literally. It's all we do. Clean dishes, clean clothes and, now, clean air. Our new ventilation hoods are the perfect examples. They feature the industry's most advanced technology to clear the air in your kitchen – and throughout your home.*

*Eurotech hoods work smartly, efficiently, quietly and, most of all, cleanly to remove cooking fumes, heat and grease from the air before they can permeate your upholstery, clothes, curtains and carpet. In fact, we're so committed to cleanliness that we've made the hoods themselves easy to clean. Ultra-efficient grease filters and seamless construction make sure of that.*

*So, you want clean? You want Eurotech.*

*Eurotech ventilation hoods. Clean by design.*

 **Eurotech**

[www.eurotechappliances.com](http://www.eurotechappliances.com)

P.O. Box 851805 • Richardson, TX 75085-1805

Copyright © 2005 AM Appliance Group. Eurotech is a division of the AM Appliance Group. Eurotech reserves the right to vary the model specifications at any time. All facts were accurate at time of printing. Before purchasing any appliance, read energy cost and efficiency information at your retailer.